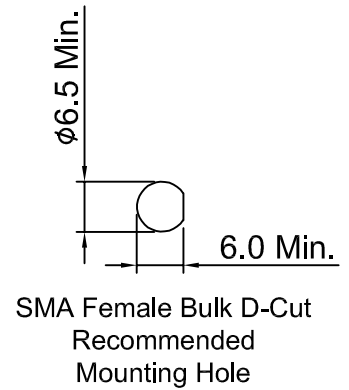
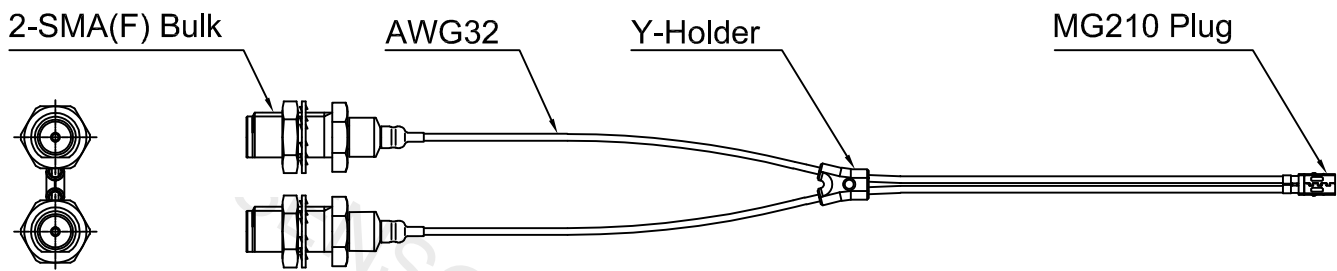
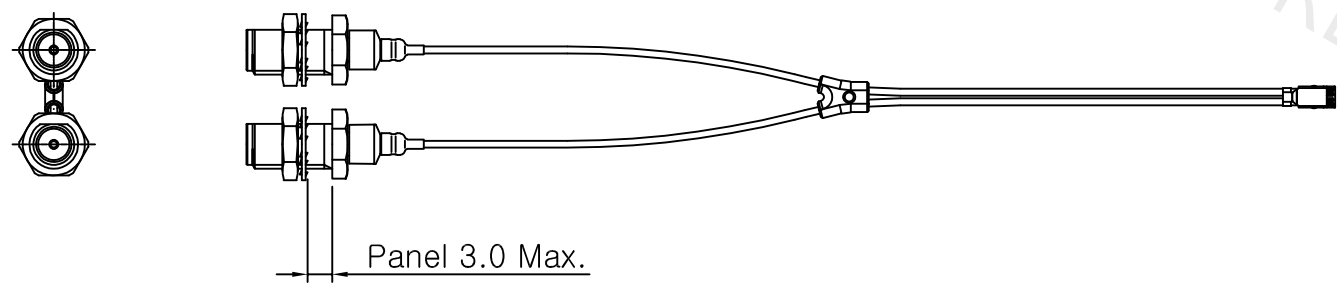
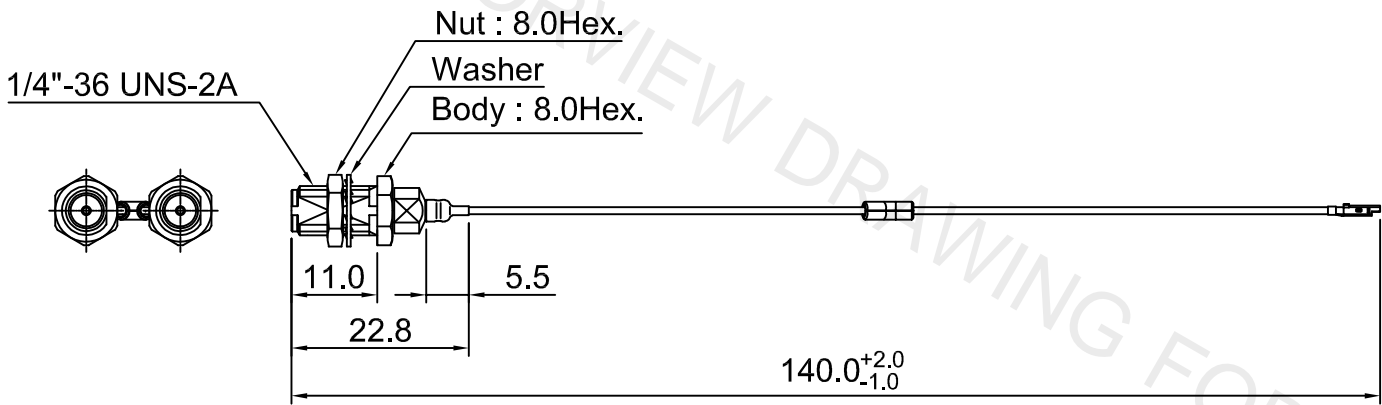


															REVISION						
NO.															CHANGE CONTENTS				CHANGE CAUSE		



Note.

- Material
  - 1-1. SMA(F) Bulk
    - Body, Nut : Bs (Au-Plated)
    - Pin : BeCu (Au-Plated)
    - Washer : STS (Au-Plated)
    - Dielectric : PTFE
    - Heat Shrink Tube : PO
  - 1-2. MG210 Plug
    - Body : Zn (Au-Plated)
    - Signal Pin : BeCu (Au-Plated)
    - Shell : STS (Ni-Plated)
    - Dielectric : LCP
    - Y-Holder : PA
- Electrical
  - 2-1. Impedance : 50Ω Nominal
  - 2-2. Frequency : DC to 10GHz
  - 2-3. VSWR : ≤ 1.5
  - 2-4. Insertion Loss : ≥ -1.5 dB
  - 2-5. Crosstalk : ≤ -45 dB
- Torque : Nut 1.3~1.4Nm



NO.	PART NO.	DESCRIPTION	Q'TY	MATERIAL	REMARKS	REV.
MATERIAL	N/A	DRAW	DESIGN	CHECK	APPRO.	TITLE
FINISH	N/A					SMA(F) Bulk / M-Connion G2(P) for AWG32 (140mm)
TOLERANCE	Decimal	Angle	08/18		08/18	PART NO. TRA2PA1
	N/A					DWG NO.
SCALE	N/A	UNIT mm	MODEL			
REVISION	0	SHEET 1/1	CP. NAME			